

A3

29.04.24_rev.01



KE
ENJOY THE OUTDOORS





↔ 1300 ↻ 900



↔ 175 ↻ 100

Motorised solar shading with cover sheet fixed on crossbars and foldable with horizontal packing, by means of trolleys and guides.

The maximum dimensions allowed are 1300x900 with 300 cm. high pillars. 104 mq coverage area.

The profiles are made of EN AW-6060 extruded aluminium alloy (with 14.5 x 16 cm guides and columns).

The structure can be wall-mounted via steel brackets and hardware, or ceiling-mounted by adding extruded aluminium brackets.

The painting of the interested parties is carried out with epoxy powders based on polyester resin.

The standard colors are RAL 9010 white, RAL 9010 matt white, RAL 9003 Cotton, RAL 1013 off white, RAL 1013 matt off white, RAL 9002 white gray, RAL 1015 sand, RAL 9006 aluminium, RAL 9007 dark aluminium, RAL 7042 gray stone, RAL 7016 Iron, RAL 7021 off black, Carbon, RAL 7030 warm grey, RAL 7006 dust, RAL 7038 resin, RAL 7044 natural stone, RAL 1019 washed wood, RAL 8014 classic brown, Corten, RAL 8017 ground, RAL 3007 black red, RAL night brown, RAL 5000 moonlight, NCS S1515-R80B sky ruvido, NCS 1050-B30G pool, RAL 6037 leaf, RAL 6007 mimetic, RAL 5002 prime B, RAL 3002 prime R, RAL 1023 prime Y.

Opatex Flat are the fabrics available as standard.

Lighting can also be installed on the cross beams, in addition to brightness sensors and anemometers with the option to remotely manage the awning via connection devices upon request.

It is possible to install lighting on the guide and the installation of light sensors and anemometers with the possibility of remote management through connection devices.

Possibility of installation of perimeter drop blinds, installation of glass doors, installation of gables.

Wind resistance guaranteed up to class 6 (EN 13561:2015).

Wind-resistant up to Class 6 (EN 13561:2015).

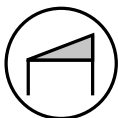
Product certified with CE marking according to EN 13561:2015

OPTIONAL

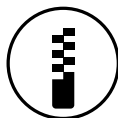
LIGHT



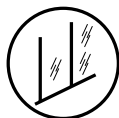
GABLES



VERTIKA

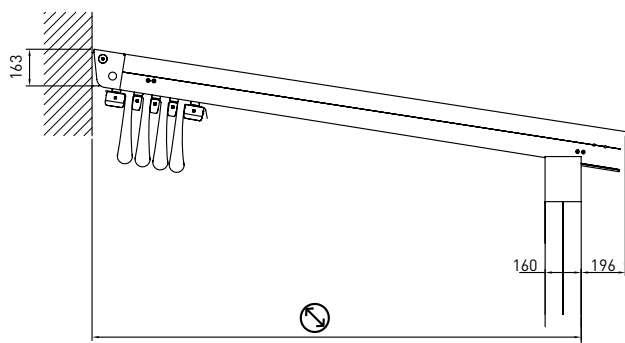


GLASS DOORS

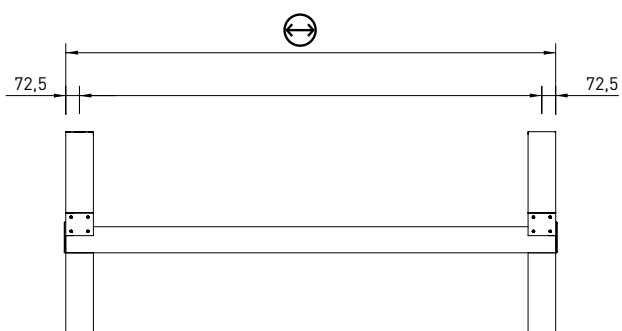


TECHNICAL INFORMATION

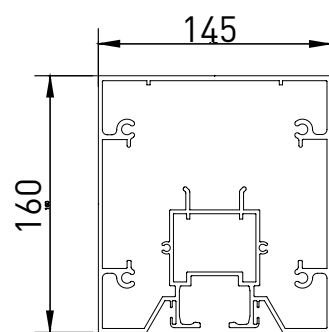
General technical plan



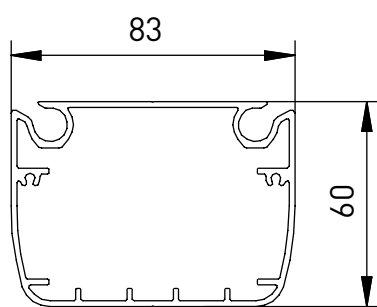
Guides interaxis width



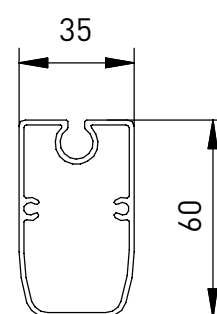
Profiles dimensions



Guide



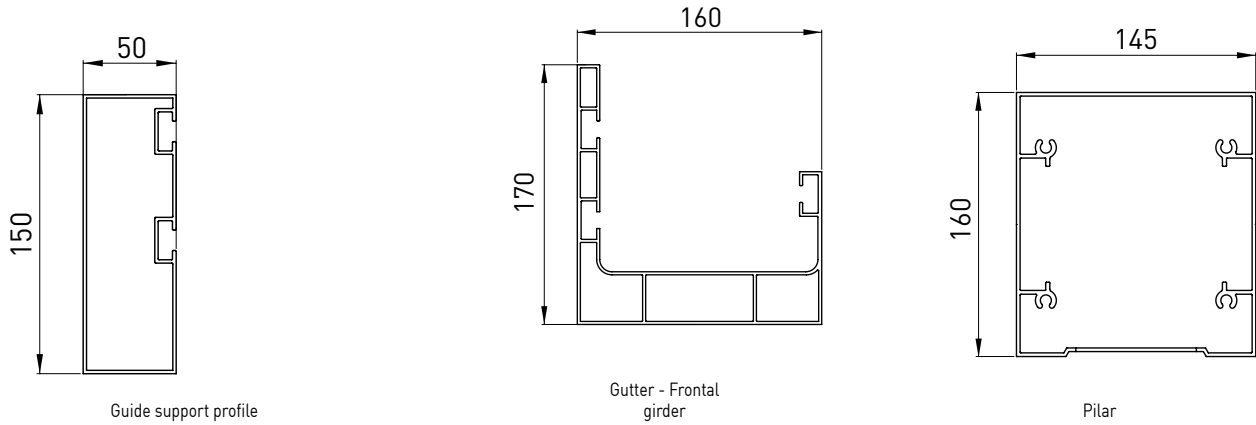
Terminal bar profile



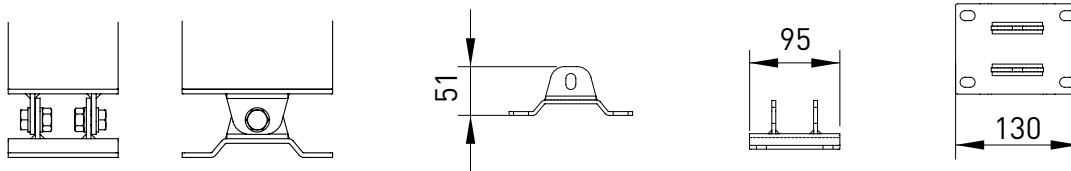
Fabric carrying Crossbar profile

TECHNICAL INFORMATION

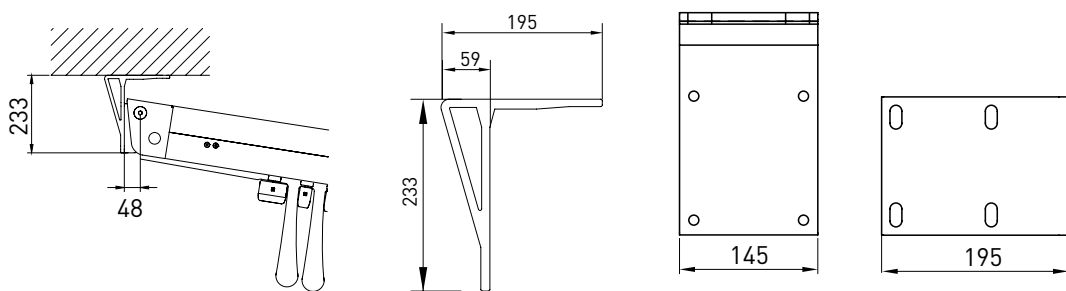
Girder section



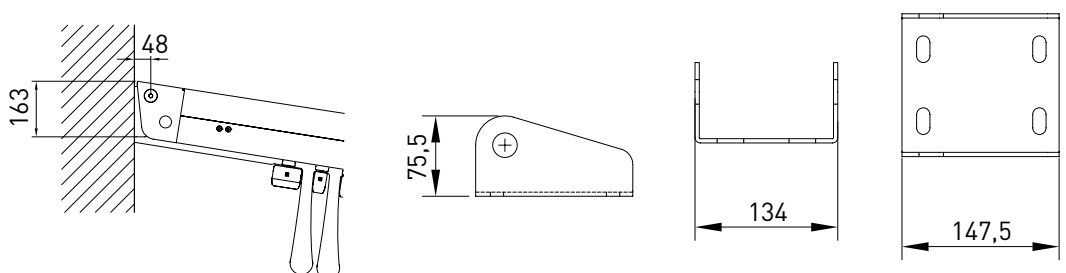
Ground connection



Ceiling installation

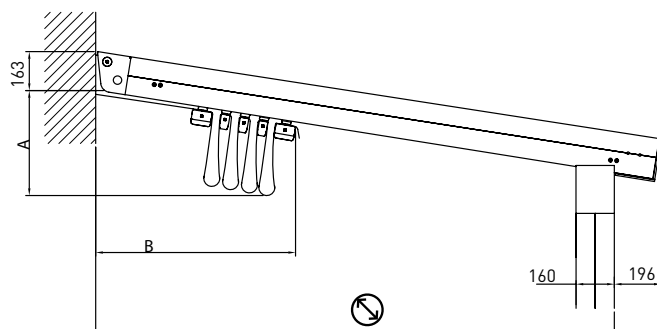


Wall installation




TECHNICAL INFORMATION

Cloth dimensions



Indicative values of the fabric encumbrance and the number of the fabric carrying crossbar profiles.
Attention: the values shown may vary according to the slope.

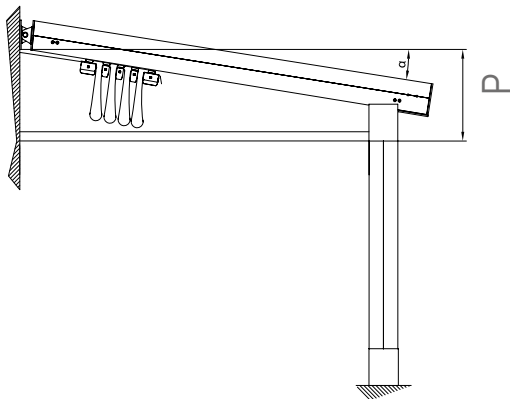
Traverse movement

	A cm	B cm	N
250	39	55	
300	37	44	
350	39	49	
400	39	54	
450	39	60	
500	39	65	
550	40	70	
600	43	70	
650	43	75	
700	45	75	
750	45	80	
800	47	85	
850	47	85	
900	49	90	

Crossbar profile numbers (terminals included). Maximum interaxis fabric carrying cross bar

TECHNICAL INFORMATION

SLOPES



2 GUIDES		⊖					
cm	250	300	350	400	450	500	
	STD / I I	STD / I I	STD / I I	STD / I I	STD / I I	STD / I I	
150	28 /	30 /	32 /	34 / 27	36 / 28	38 / 29	
200	32 /	35 /	38 /	40 / 31	43 / 33	46 / 34	
250	36 /	40 /	43 /	47 / 36	50 / 37	54 / 39	
300	41 /	45 /	49 /	54 / 40	58 / 42	62 / 44	
350	45 /	50 /	55 /	60 / 45	65 / 47	70 / 49	
400	50 /	56 /	61 /	67 / 49	73 / 52	79 / 54	
450	55 /	61 /	68 /	74 / 54	81 / 57	87 / 60	
500	60 /	67 /	74 /	81 / 59	88 / 63	96 / 66	
550	65 /	73 /	81 /	89 / 64	96 / 68	104 / 72	
600	71 /	79 /	87 /	96 / 69	105 / 74	113 / 78	
650	76 /	85 /	94 /	104 / 74	113 / 80	122 / 84	
700	82 /	91 /	101 /	111 / 80	121 / 86	131 / 90	
750	87 /	98 /	108 /	119 / 85	130 / 92	140 / 97	
800	93 /	104 /	116 /	127 / 91	138 / 99	150 / 104	
850	98 /	111 /	122 /	134 / 85	147 / 92	159 / 111	
900	103 /	117 /	131 /	143 / 91	155 / 99	168 / 118	

⊖ Projection ⊖ Width

STD Standard I|I Added module

P= Minimum inclination for a correct water outflow

3 GUIDES		⊖								
cm	500	550	600	650	700	750	800	850	900	
	STD / I I	STD / I I	STD / I I	STD / I I	STD / I I	STD / I I	STD / I I	STD / I I	STD / I I	
150	29 /	31 /	32 / 27	33 / 28	34 / 29	36 / 29	37 / 30	38 / 31	39 / 32	
200	34 /	36 /	37 / 31	39 / 32	41 / 33	42 / 34	44 / 35	46 / 36	47 / 37	
250	39 /	41 /	43 / 35	45 / 37	47 / 38	49 / 39	51 / 40	53 / 41	55 / 43	
300	44 /	47 /	49 / 40	51 / 41	54 / 43	56 / 44	58 / 45	61 / 47	63 / 48	
350	49 /	52 /	55 / 44	58 / 46	60 / 47	63 / 49	66 / 51	69 / 53	72 / 54	
400	55 /	58 /	61 / 49	64 / 51	67 / 53	70 / 54	74 / 56	77 / 58	80 / 60	
450	60 /	64 /	67 / 53	71 / 56	74 / 58	78 / 60	81 / 62	85 / 64	88 / 67	
500	66 /	70 /	74 / 58	78 / 61	81 / 63	85 / 65	89 / 68	93 / 70	97 / 73	
550	72 /	76 /	80 / 63	84 / 66	89 / 68	93 / 71	97 / 74	101 / 77	105 / 79	
600	78 /	82 /	87 / 68	91 / 71	96 / 74	100 / 77	105 / 80	110 / 83	114 / 86	
650	84 /	89 /	94 / 73	99 / 76	103 / 80	108 / 83	113 / 86	118 / 90	123 / 93	
700	90 /	96 /	101 / 79	106 / 82	111 / 86	116 / 89	121 / 93	127 / 96	132 / 100	
750	97 /	102 /	108 / 84	113 / 88	119 / 92	124 / 95	130 / 99	135 / 103	141 / 107	
800	104 /	109 /	115 / 90	121 / 94	127 / 98	132 / 102	138 / 106	144 / 110	150 / 114	
850	110 /	115 /	122 / 95	127 / 100	135 / 104	140 / 107	147 / 112	152 / 116	159 / 121	
900	118 /	122 /	129 / 101	136 / 106	143 / 110	148 / 115	155 / 119	161 / 124	168 / 128	

4 GUIDES		⊖							
cm	950	1000	1050	1100	1150	1200	1250	1300	
	STD / I I	STD / I I	STD / I I	STD / I I	STD / I I	STD / I I	STD / I I	STD / I I	
150	32 / 29	33 / 29	33 / 30	34 / 30	35 / 31	36 / 31	37 / 32	37 / 33	
200	37 / 33	38 / 34	39 / 35	41 / 35	42 / 36	43 / 37	44 / 38	45 / 38	
250	43 / 38	44 / 39	46 / 40	47 / 41	48 / 42	50 / 43	51 / 44	52 / 44	
300	49 / 42	51 / 44	52 / 45	54 / 46	55 / 47	57 / 48	58 / 50	60 / 51	
350	55 / 47	57 / 49	59 / 50	61 / 52	62 / 53	64 / 54	66 / 56	68 / 57	
400	61 / 52	63 / 54	65 / 56	67 / 57	70 / 59	72 / 60	74 / 62	76 / 64	
450	68 / 58	70 / 59	72 / 61	75 / 63	77 / 65	79 / 67	82 / 69	84 / 70	
500	74 / 63	77 / 65	79 / 67	82 / 69	84 / 71	87 / 73	90 / 75	92 / 77	
550	81 / 68	84 / 71	86 / 73	89 / 75	92 / 78	95 / 80	98 / 82	101 / 85	
600	87 / 74	91 / 76	94 / 79	97 / 81	100 / 84	103 / 87	106 / 89	110 / 92	
650	94 / 79	98 / 82	101 / 85	105 / 88	108 / 91	111 / 94	115 / 96	118 / 99	
700	101 / 85	105 / 88	109 / 91	112 / 95	116 / 98	120 / 101	124 / 104	127 / 107	
750	109 / 91	113 / 95	117 / 98	120 / 101	124 / 105	128 / 108	132 / 111	136 / 115	
800	116 / 97	120 / 101	124 / 105	129 / 108	133 / 112	137 / 115	141 / 119	146 / 123	
850	124 / 103	128 / 108	133 / 111	135 / 114	140 / 119	145 / 122	149 / 126	154 / 131	
900	131 / 109	135 / 114	139 / 119	146 / 121	150 / 126	154 / 129	158 / 134	165 / 139	



WIND RESISTANCE

The wind resistance of an exterior shade system is characterized by its ability to support defined loads by simulating wind with positive or negative pressure. In order to define a correlation between the wind resistance class according to the classes defined by the technical standard EN 13561 and the wind speed expressed in Km / h, a comparative table with the Beaufort scale is used. The Beaufort Scale classifies winds according to the speed at which they blow. Wind speed is measured in kilometers per hour (km / h) or in nodes using a measuring instrument, called anemometer, at a height of about 10 meters above the ground.

	TERMINE DESCRITTIVO	VELOCITA' VENTO km/h	VELOCITA' VENTO km/h	VELOCITA' VENTO Nodi	EFFETTI DEL VENTO SULLA TERRA	EN 13561
4	Vento moderato	5,5 - 7,9	20 - 28	11 - 16	Si sollevano polvere e pezzi di carta; si muovono i rami piccoli degli alberi.	Classe 1
5	Vento teso	8,0 - 10,7	29 - 38	17 - 21	Gli arbusti con foglie iniziano a ondeggiare; le acque interne s'increspano.	Classe 2
6	Vento fresco	10,8 - 13,8	39 - 49	22 - 27	Si muovono anche i rami grossi; gli ombrelli si usano con difficoltà.	Classe 3
7	Vento forte	13,9 - 17,1	50 - 61	28 - 33	Gli alberi iniziano a ondeggiare; si cammina con difficoltà contro vento.	Classe 4
8	Burrasca	17,2 - 20,7	62 - 74	34 - 40	Si staccano rami dagli alberi; generalmente è impossibile camminare contro vento.	Classe 5
9	Burrasca forte	20,8 - 24,4	75 - 88	41-47	Possono verificarsi leggeri danni strutturali agli edifici (caduta di tegole o di coperchi dei camini).	Classe 6

Please note: in wind above the maximum class rating, it is necessary to retract the fabric or move blades to upright. For the evaluation of wind resistance of the perimeter closures (Vertika, Vertika Prime, Line glass) refer to the performance declarations of the products themselves. The opening and closing of the screens can be controlled by installing sensors (sun, wind, rain). These aids do not replace the need for visual monitoring and taking manual action to make the awning safe when winds or loads exceed the product's limits. Therefore, the safety of the product is not guaranteed by the use of sensors.

cm	250	300	350	400	450	500	500	550	600	650	700	750	800	850	900	950	1000	1050	1100	1150	1200	1250	1300	
250	9	9	9	9	9	9	9	9	9	9	9	9	9	9	9	9	9	9	9	9	9	9	9	9
300	9	9	9	9	9	9	9	9	9	9	9	9	9	9	9	9	9	9	9	9	9	9	9	9
350	9	9	9	9	9	9	9	9	9	9	9	9	9	9	9	9	9	9	9	9	9	9	9	9
400	9	9	9	9	9	9	9	9	9	9	9	9	9	9	9	9	9	9	9	9	9	9	9	9
450	9	9	9	9	9	9	9	9	9	9	9	9	9	9	9	9	9	9	9	9	9	9	9	9
500	9	9	9	9	9	9	9	9	9	9	9	9	9	9	9	9	9	9	9	9	9	9	9	9
550	9	9	9	9	9	9	9	9	9	9	9	9	9	9	9	9	9	9	9	9	9	9	9	9
600	9	9	9	9	9	9	9	9	9	9	9	9	9	9	9	9	9	9	9	9	9	9	9	9
650	9	9	9	9	9	9	9	9	9	9	9	9	8	8	8	9	9	9	9	9	9	8	8	8
700	9	9	9	9	9	9	9	9	9	9	8	8	8	8	8	9	9	8	8	8	8	8	8	8
750	9	9	9	9	9	9	9	9	8	8	8	8	7	7	7	8	8	8	8	8	8	8	8	7
800	9	9	9	9	9	9	9	8	8	8	8	7	7	7	7	8	8	8	8	7	7	7	7	7
850	9	9	9	9	9	9	9	8	8	8	8	7	7	7	7	8	7	7	7	7	7	7	7	7
900	9	9	9	9	8	8	8	8	7	7	7	7	7	7	6	7	7	7	7	7	7	7	7	7



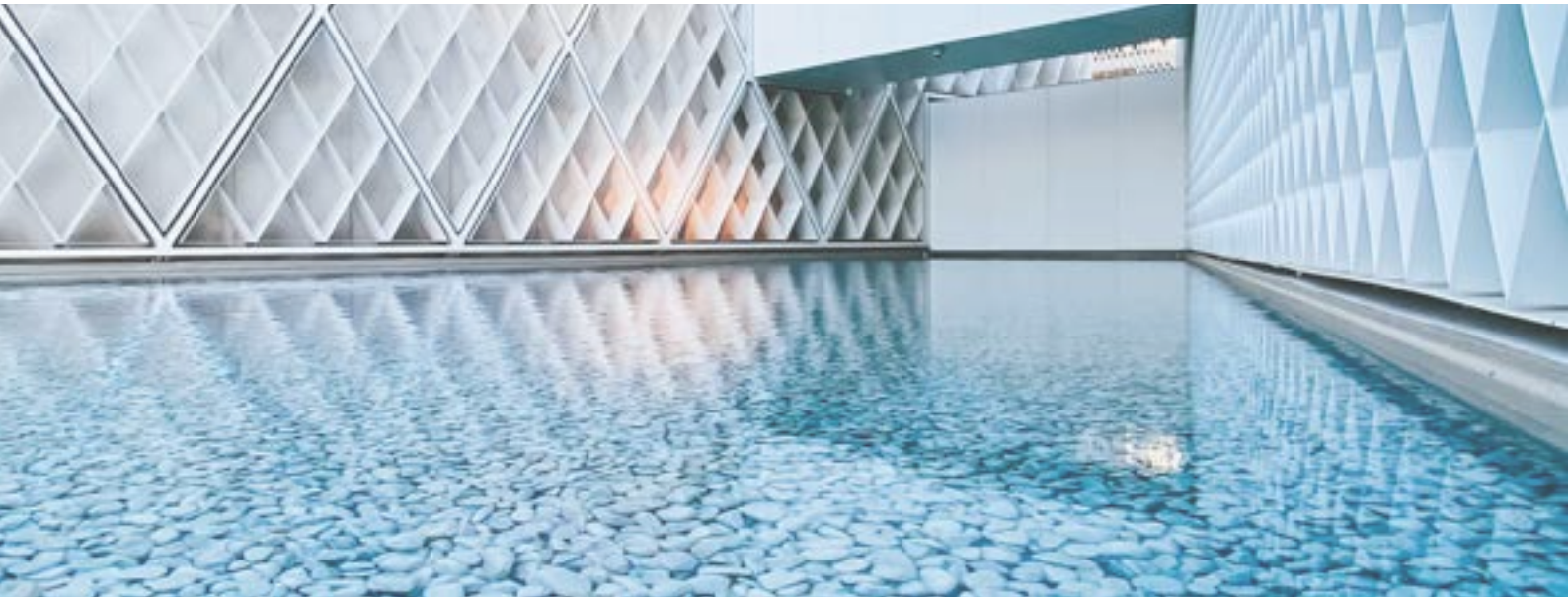
The KE painting process includes high quality standards, with an 8-stage pre-treatment that includes degreasing, deoxidation, and protective treatments before painting. Thanks to this last phase, components and profiles are further guaranteed against particularly severe environmental situations. At the end of the process the profiles and components are painted with polyester resin-based epoxy powders. Treated components are periodically tested in salt spray according to the ISO 9227 standard to confirm conformity and consistency of the process. The European product standard EN 13561: 2015 defines corrosion resistance classes of the metal parts that make up the product according to the table below. Tests performed on the painted components and profiles allow us to classify the product in the maximum class achievable according to EN 13561: 2015, C2 / 4 (48 h - internal components, 240 h - external components).

Equipped with the most modern process control systems including continuous monitoring in which the working parameters are recorded and corrected every 2 minutes, the new painting process guarantees the high quality characteristics of the product while minimizing the risk of environmental pollution. This is a choice born from the desire to always keep up with technology while guaranteeing operator safety and low environmental impact. Thanks to nanotechnologies, the implemented coating constitutes an excellent base for anchoring paints, ensuring excellent adhesion and resisting corrosion. The plant in which aluminum or galvanized steel products with a length of up to 7 meters can be treated, includes 7 treatment tanks, 1 double compartment drying oven, 1 polymerization oven and 1 purification plant for waste water treatment. The real focus of the plant, however, is the two powder coating booths, each with 4 stations for manual retouching. The booths allow greater production continuity, thanks to a drastic reduction in required stops for color changes.

CORROSION RESISTANCE

Classes	1	2	3	4
Internal components	24	48		
External components		48	96	240

COLOURS



When working with color, we know that our whole world is defined by light. And color is nothing more than a breakdown of light. Objects reflect back to our eyes only the color that defines it. This is why it is so important to recognize the close link between color and matter. For this project, there are three keywords that guide the research: Words, Places, Matters.

WORDS: Naming colors is important to make them familiar and easily recognizable.

PLACES: Places define colors. Recognizing different types of places is a starting point for defining and suggesting color combinations.

MATERIALS: Objects do not exist in isolation, but rather match the environment around them: analyzing the materials that make up the environment itself helps us to make decisions; to decide, for example, if the character of a place is false or if instead it is genuinely artistic.

COLOURS RAL





There is increasing demand for high-performance buildings that have a very low energy consumption and use energy derived from renewable sources. In particular, the limitation of solar heat gain is one of the most important aspects of summer thermal comfort. Solar shading plays an essential role in this concept. The gtot value determines the ability of the solar shield to maintain, in an environment directly exposed to solar radiation, a more comfortable temperature than that which would occur with the presence of glass alone. The solar heat gains are directly proportional to the total transmittance of solar energy gtot, a value that depends on the glazing and external shielding. The European product standard EN 13561: 2015 and the EN 14501 standard identify 5 energy performance classes as shown in the table below.

Effect of GTOT on thermal comfort					
Gtot value	$\geq 0,50$	$\geq 0,35 \text{ e } < 0,50$	$\geq 0,15 \text{ e } < 0,35$	$\geq 0,10 \text{ e } < 0,15$	$< 0,10$
Class	0	1	2	3	4
	very mild effect	Mild effect	Moderate effect	good effect	very good effect

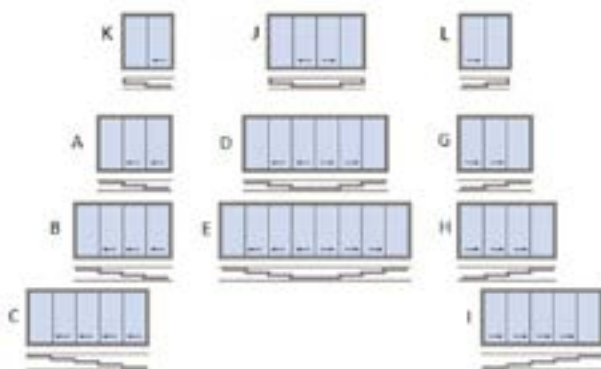
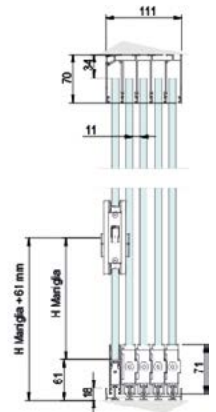
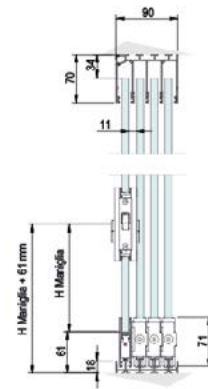
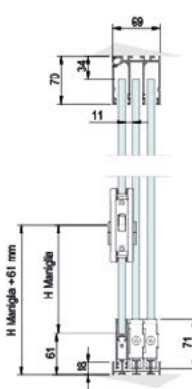
Each KE product has a Gtot value according to the shading fabric / profiles used. For details, refer to the information provided with the technical data sheet of the fabric and the CE label.

OPTIONAL_LINE GLASS



Sliding windows with frameless doors. Lower track only 18 mm high. Easy installation with left or right hand opening. Side or central closure. Packaging with aligned windows. Height adjustment up to 8 mm for each single door. Removable for easy cleaning. Closure with self-locking and / or lock. Waterproofing is not guaranteed during heavy rain or rain with wind.

Technical Details





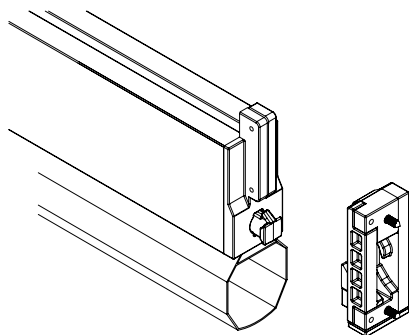
Vertika is a vertical closure that provides protection from sun and rain.
It can be equipped with WIND BLOCK, a locking tensioning system for the fabric.
With Vertika you can use blackout and filtering fabrics to better manage solar radiation.

- AVAILABLE:

110 GPR
110 GPZ
130 GPR
130 GPZ

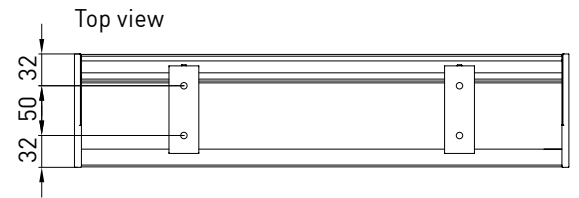
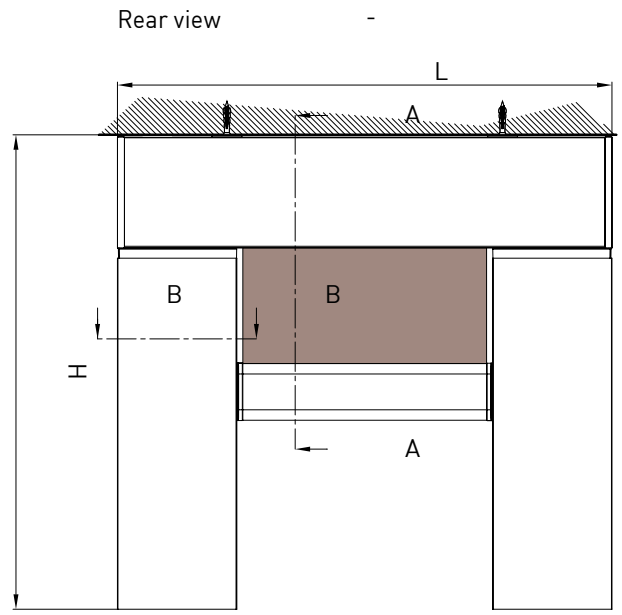
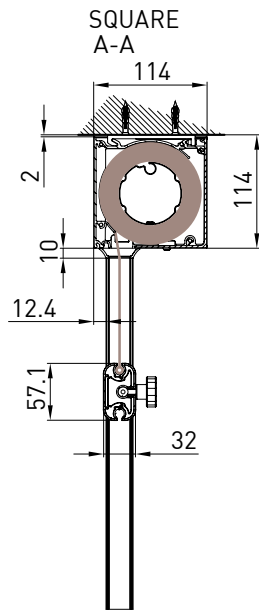
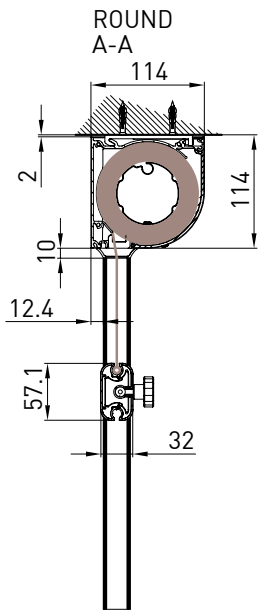


Technical Details

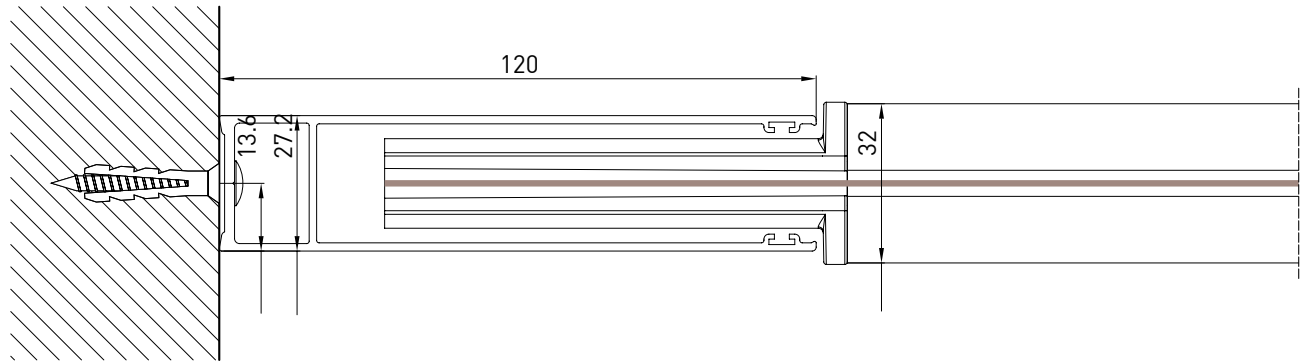


WIND BLOCK: Front bar Interlock device to be used on 100 and 130 Screeny GPZ guide, GPZ I and Gpz Unica. In wind, front bar stays locked in the low position and fabric is steadily tightened when the awning is opened completely.

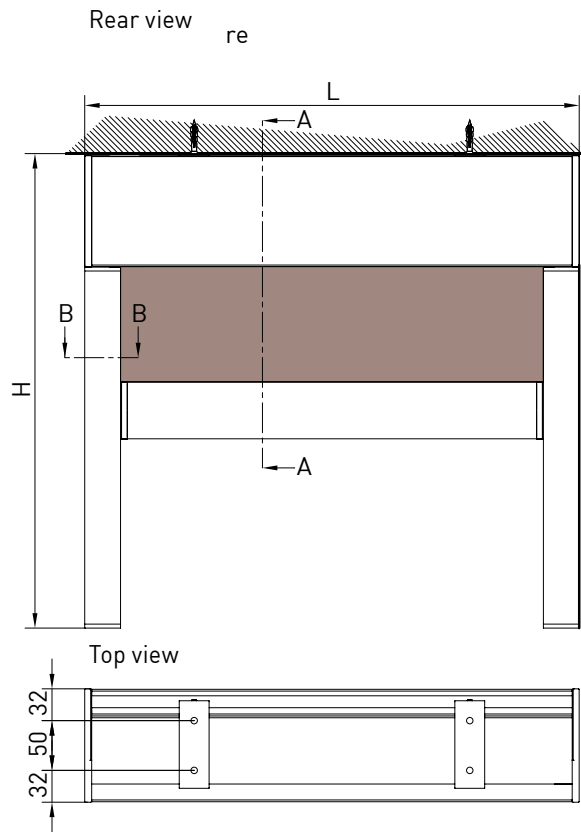
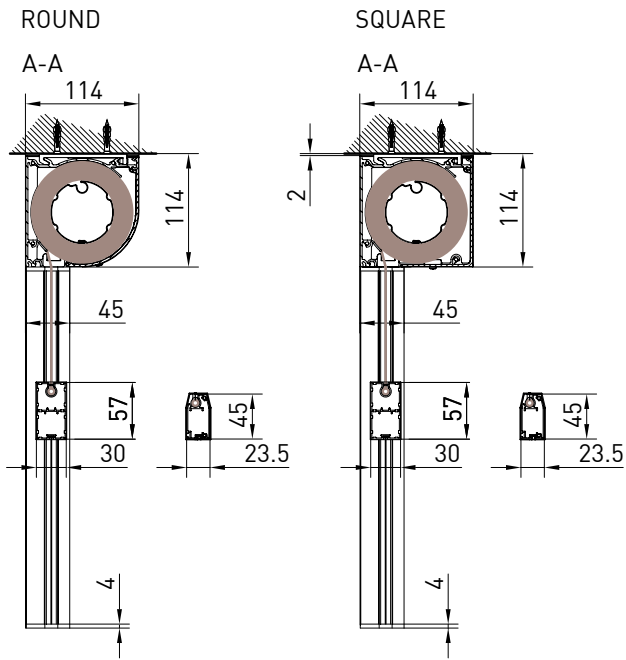
VERTIKA_110 GPR



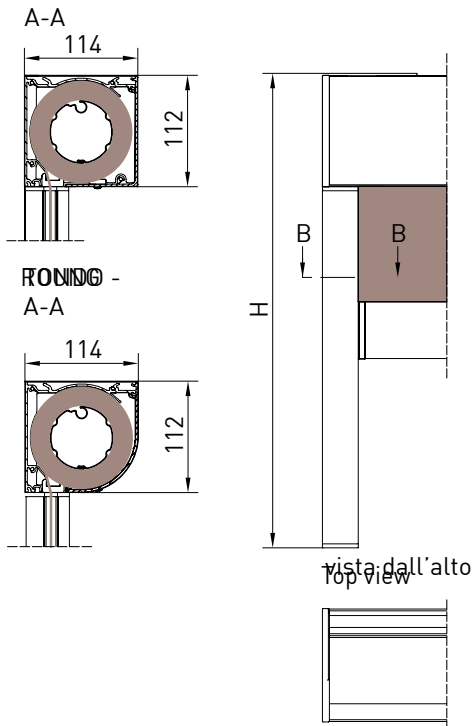
Niche guide
B-B



VERTIKA_110 GPZ

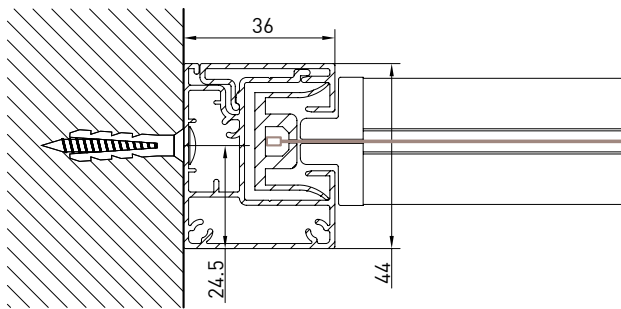


FREESTANDING - SQUARE



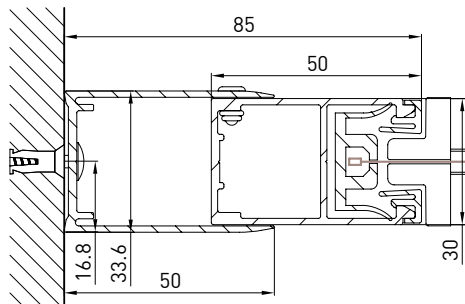
VERTIKA_110 GPZ

Niche guide
B-B

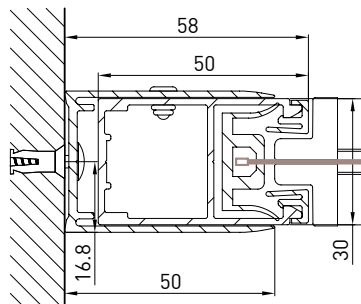


GPZ C

Niche guide
B-B

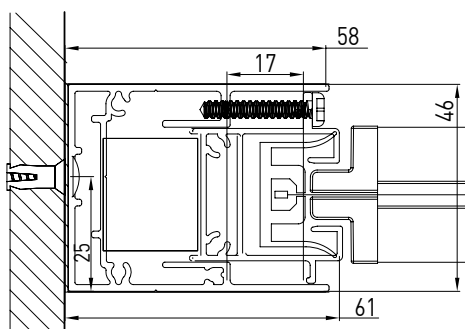


Niche guide
B-B

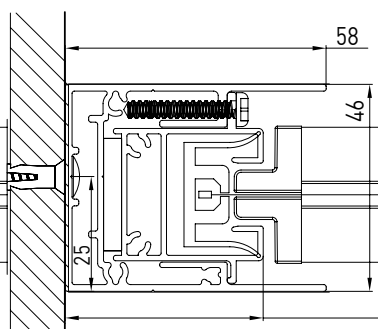


GPZ I

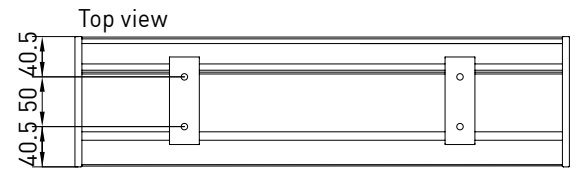
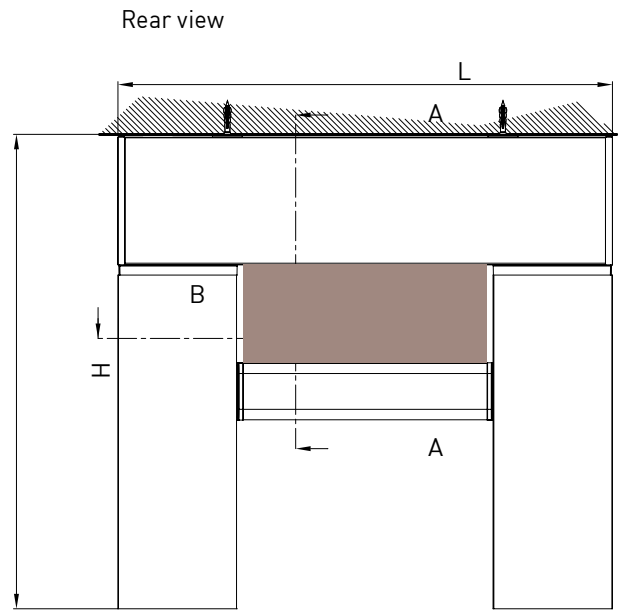
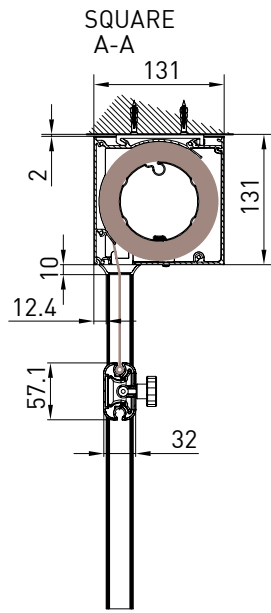
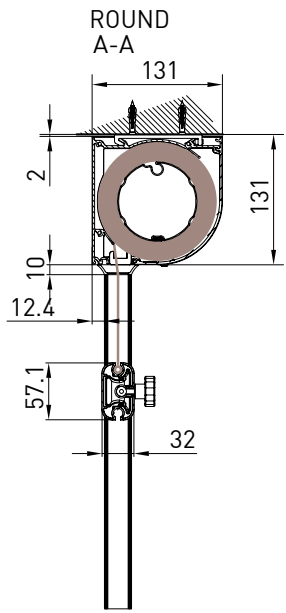
Niche guide
B-B



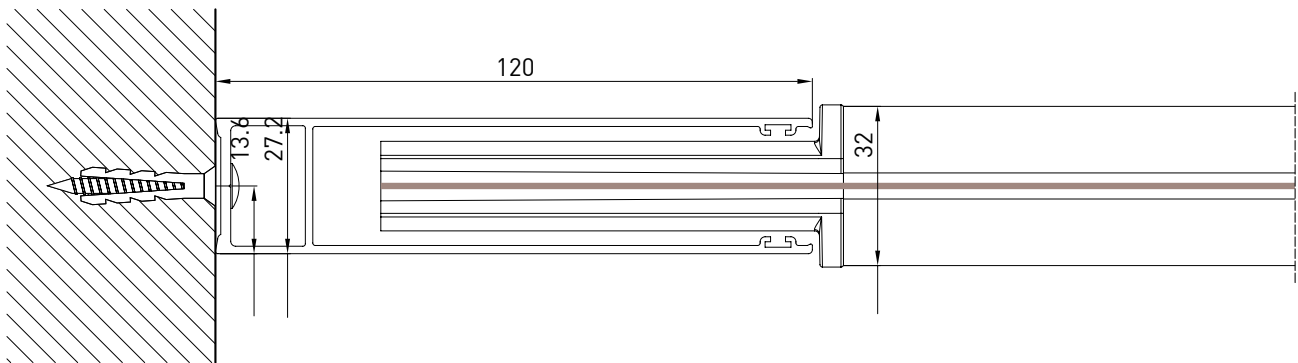
Niche guide
B-B



VERTIKA_130 GPR



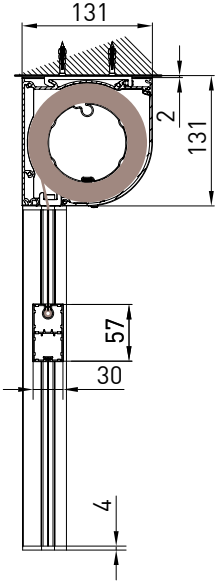
Niche guide B-B



VERTIKA_130 GPZ

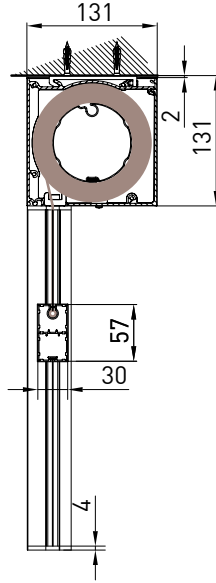
ROUND

A-A

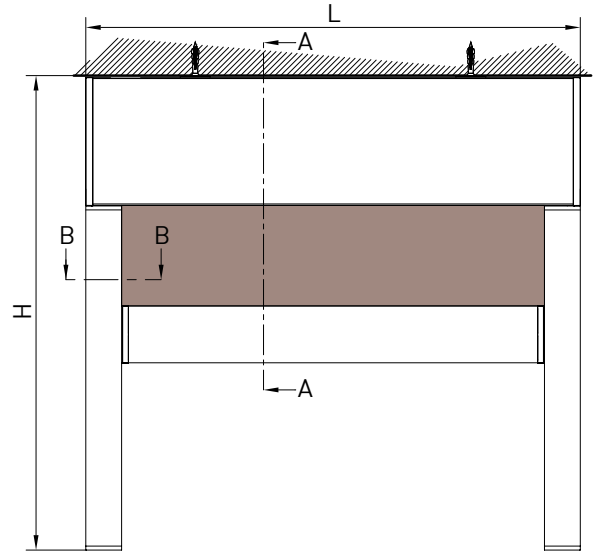


SQUARE

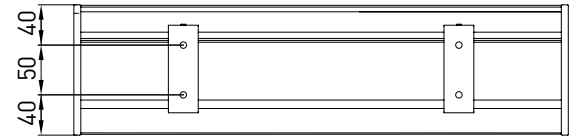
A-A



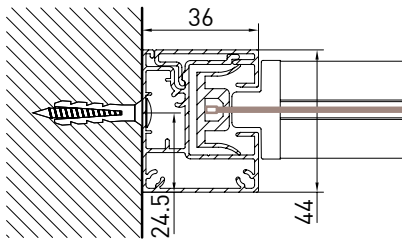
Rear view



Top view

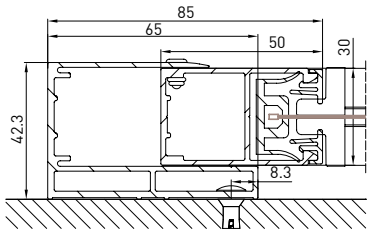


Niche guide
B-B

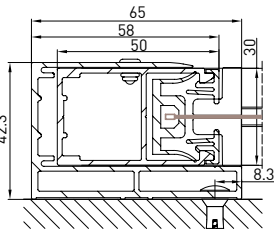


GPZ C

Wall guide (GCP)
B-B

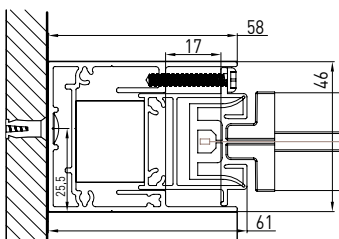


Wall guide (GCP)
B-B

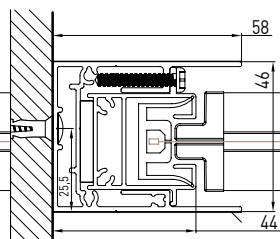


VERSIONE GPZ I

Niche guide
B-B



Niche guide
B-B



OPTIONAL SIDE CLOSURES _ DOORS AND CURTAINS



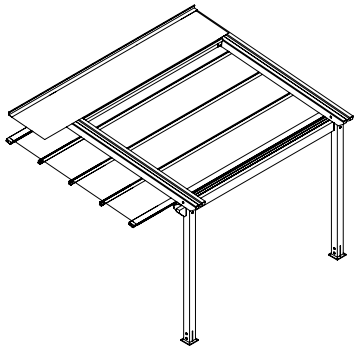
The doors have been designed to provide protection from water and wind. They are made from extruded aluminum alloy profiles (EN-AW 6060-T6) and 4 + 4 pvd 0.76 safety and shatterproof laminated glass in accordance with UNI 7697 2014. Doors are available in either one or two door versions.

The interior of the structure can be enhanced with decorative curtains. That extra romantic touch which will surely be appreciated by anyone looking for a little privacy or who want "a room all to themselves".

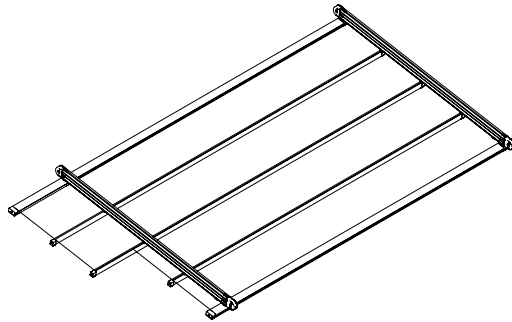
SPECIAL STRUCTURES

The technical office is available for assistance with non-standard structures such as some examples shown below. KE can also produce special brackets on request.

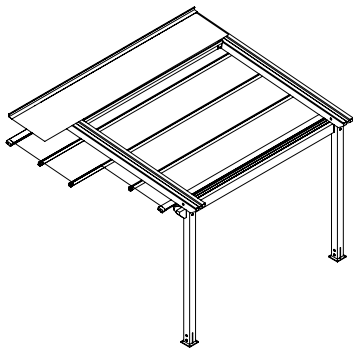
Cantilevered



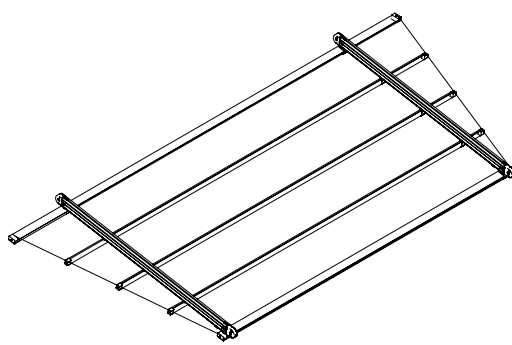
Cantilevered with recess



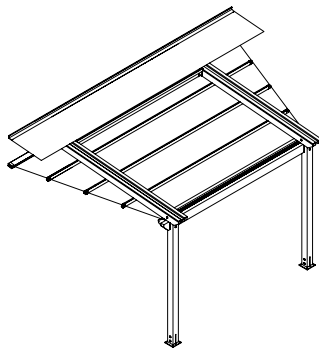
Cantilevered with recess



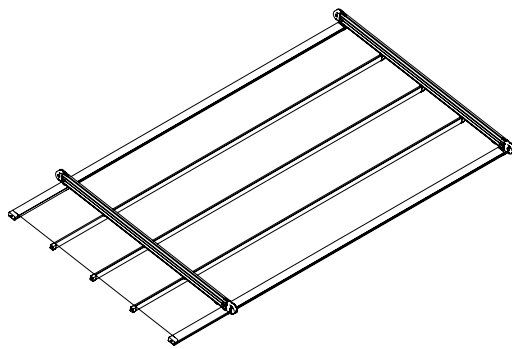
Slanting



Slanting



Cantilevered



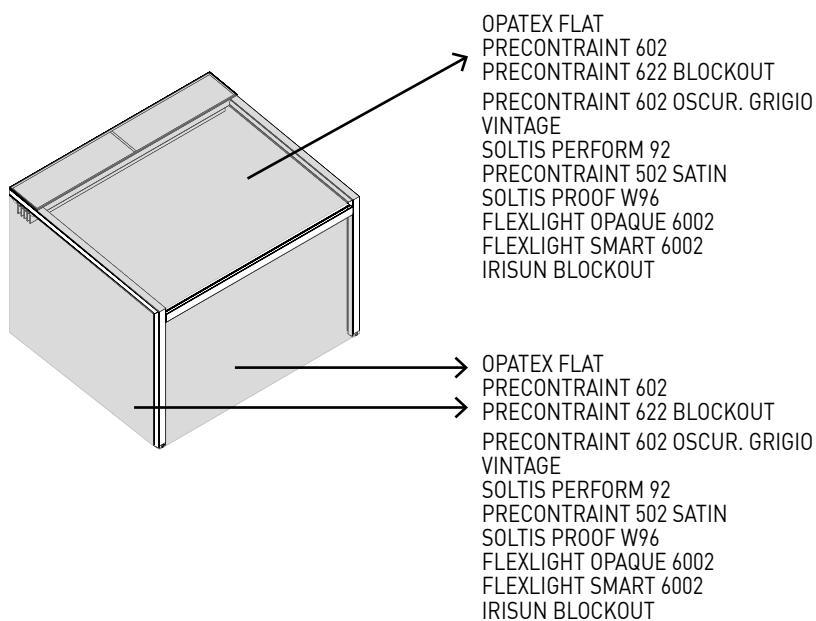
FABRICS



KE
ENJOY THE OUTDOORS

Thermal comfort blends perfectly with beautiful style thanks to the more than 500 high performance fabrics available. A wide variety of colors, styles and solar shading factors allow for a system that meets your specific needs. All fabrics are CE Certified according to the EN 13561 and EN 14501 technical standards.

N.B.
See the Fabric Guide for further fabric specifications.



Standard

- OPATEX FLAT

Optional

PRECONSTRAINT 602
PRECONSTRAINT 622 OSCURANTE
PRECONSTRAINT 602 OSCUR. GRIGIO
VINTAGE
SOLTIS PERFORM 92
PRECONSTRAINT 502 SATIN
SOLTIS PROOF W96
FLEXLIGHT OPAQUE 6002
FLEXLIGHT SMART 6002
IRISUN BLOCKOUT

DICHIARAZIONE DI PRESTAZIONE
008-14/2017

Codice identificazione prodotto: GENIUS A3

Uso previsto del prodotto da costruzione, conformemente a UNI EN 13561:2015 - EN 1992-2:2013:
Tende per uso esterno

Nome e indirizzo del fabbricante:
KE PROTEZIONI SOLARI S.r.l.
Via Calvea, 160/a
30030 NOVENTA DI PIAVE (VE) - ITALY

Sistema di valutazione e verifica della costanza della prestazione del prodotto da costruzione: Sistema 4

Specifiche armonizzate:
UNI EN 13561:2015 - UNI EN 1992-2:2013

Classificazione secondo Prospetto 1 - § 4.1 UNI EN 13561:2015:

Classi di resistenza al vento	0	1	2	3	4	5	6
Pressione nominale del vento p_n (N/m ²)	<40	40	70	110	170	270	400
Pressione di sicurezza del vento p_s (N/m ²)	<48	48	84	132	204	234	480

Velocità massima del vento al di sopra della quale la tenda deve essere ritirata:

Classi di resistenza al vento	0	1	2	3	4	5	6
Velocità del vento (km/h)	<25	25	35	45	55	65	80

Prestazione dichiarata:

		Resistenza ai carichi da vento - Configurazione a 2 guide					
		Larghezza (cm)					
		250	300	350	400	450	500
Sporgenza (cm)	250	6	6	6	6	6	6
	300	6	6	6	6	6	6
	350	6	6	6	6	6	6
	400	6	6	6	6	6	6
	450	6	6	6	6	6	6
	500	6	6	6	6	6	6
	550	6	6	6	6	6	-
	600	6	6	6	6	6	-
	650	6	6	6	6	6	-
	700	6	6	6	6	6	-
	750	6	6	6	6	6	-
800	6	6	6	6	6	-	
850	6	6	6	6	6	-	
900	6	6	6	6	6	-	

		Resistenza ai carichi da vento - Configurazione a 3 guide								
		Larghezza (cm)								
		500	550	600	650	700	750	800	850	900
Sporgenza (cm)	250	6	6	6	6	6	6	6	6	6
	300	6	6	6	6	6	6	6	6	6
	350	6	6	6	6	6	6	6	6	6
	400	6	6	6	6	6	6	6	6	6
	450	6	6	6	6	6	6	6	6	6
	500	6	6	6	6	6	6	6	6	6
	550	6	6	6	6	6	6	6	6	6
	600	6	6	6	6	6	6	6	6	6
	650	6	6	6	6	6	6	3	3	3
	700	6	6	6	6	3	3	3	3	3
	750	6	6	3	3	3	3	3	4	4
800	6	3	3	3	3	4	4	4	4	
850	3	3	3	3	3	4	4	4	4	
900	3	3	4	4	4	4	4	4	4	

		Resistenza ai carichi da vento - Configurazione a 4 guide							
		Larghezza (cm)							
		950	1000	1050	1100	1150	1200	1250	1300
Sporgenza (cm)	250	6	6	6	6	6	6	6	6
	300	6	6	6	6	6	6	6	6
	350	6	6	6	6	6	6	6	6
	400	6	6	6	6	6	6	6	6
	450	6	6	6	6	6	6	6	6
	500	6	6	6	6	6	6	6	6
	550	6	6	6	6	6	6	6	6
	600	6	6	6	6	6	6	6	6
	650	6	6	6	6	6	3	3	3
	700	6	6	3	3	3	3	3	3
	750	3	3	3	3	3	3	3	4
800	3	3	3	3	4	4	4	4	
850	3	4	4	4	4	4	4	4	
900	4	4	4	4	4	4	4	4	

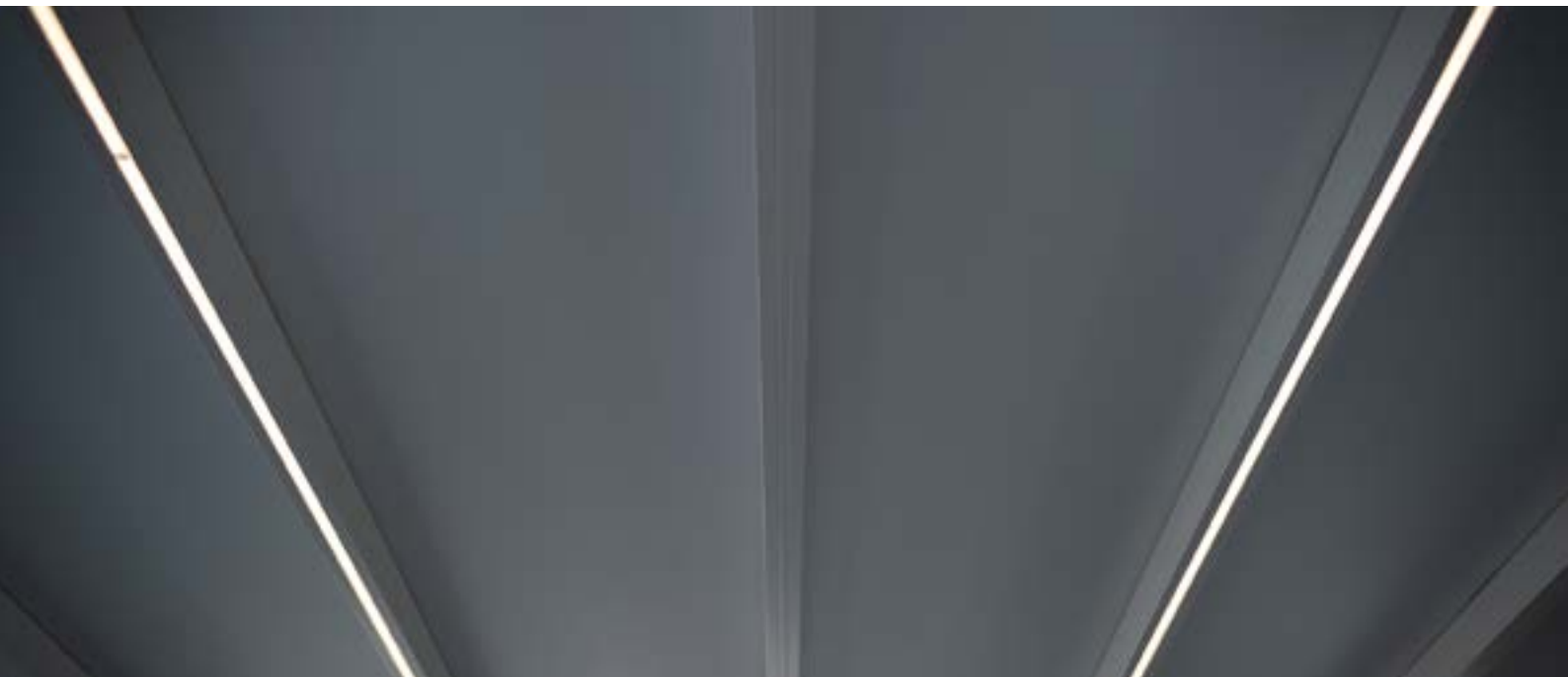
Trasmissione totale di energia solare g_{tot} valori come riportato in etichetta CE.

La prestazione del prodotto sopra indicati sono conformi all'insieme delle prestazioni dichiarate.
Si rilascia la presente dichiarazione di prestazione sotto la responsabilità esclusiva del fabbricante sopra identificato.



EN 13561:2015

Noventa di Piave, 02 Gennaio 2018



Lighting plays a very important role in allowing our pergolas to be used at any time of day. KE uses LED lights, perfectly integrated into the profiles of the structures. LED technology allows for low energy consumption, multiple applications and changes to light color and intensity using a simple remote control.

N.B.
See the Fabric Guide for further fabric specifications.



DATI_TECNICI:

STRIP LED	
Watt	10W
volt	24V
flow	830lm
Color temperature	3400 K
LED/m	98 led/m



EN ISO 9001

KE has adopted a Quality Management System compliant with EN ISO 9001 requirements in order to maintain and increase quality and meet the highest customer expectations. This continuous improvement, through the control of all processes and careful evaluation of risks and opportunities, engages the entire organization in the development of systems to ensure the safety and reliability of the product and in the search for innovative solutions and technologies.

OHSAS 18001

KE has activated a Safety Management System as an integral part of its work organization, committing itself to organizing the entire structure in order to pursue the objectives of continuous improvement in terms of safety and health protection. Training, knowledge and compliance with current legislation on health and safety at work, cooperation and collaboration and preventive activities are actively pursued in order to minimize the possibility of non-compliance.

EN ISO 14001

KE is ISO 14001 certified for environmental management and strives to be an example of respect for environmental resources and for the continuous improvement of its environmental management system. It is committed to continuous improvement and pollution prevention in compliance with applicable laws, regulations and standards; systematically detects any environmental impact of manufacturing processes, promotes the culture of recovery and recycling in the company and in the related production chain.

CE MARK _ EN 13561

The CE marking of outdoor awnings is a signal to the Consumer that the product can be sold freely in the EU single market, as it complies with Community provisions which recognize safety as the priority of every product that has this agreed upon reference standard. Verification of wind resistance capacity and the clear indication of the ability of the awning to contribute to the energy savings of the building (Gtot), are some of the commitments that the manufacturer makes to a product that has earned the CE marking. The name of the manufacturer, the reference standard (in our case EN 13561) accompany a product that is properly adapted to European indications.

CE MARK _ EN 1090-1

KE extended the CE marking in 2015 to stationary awnings, which are among the aluminum structural components covered by the international standard EN 1090-1. This marking reflects our use of rigorous structural design and manufacturing with qualified processes, adequate industrial resources and qualified personnel.

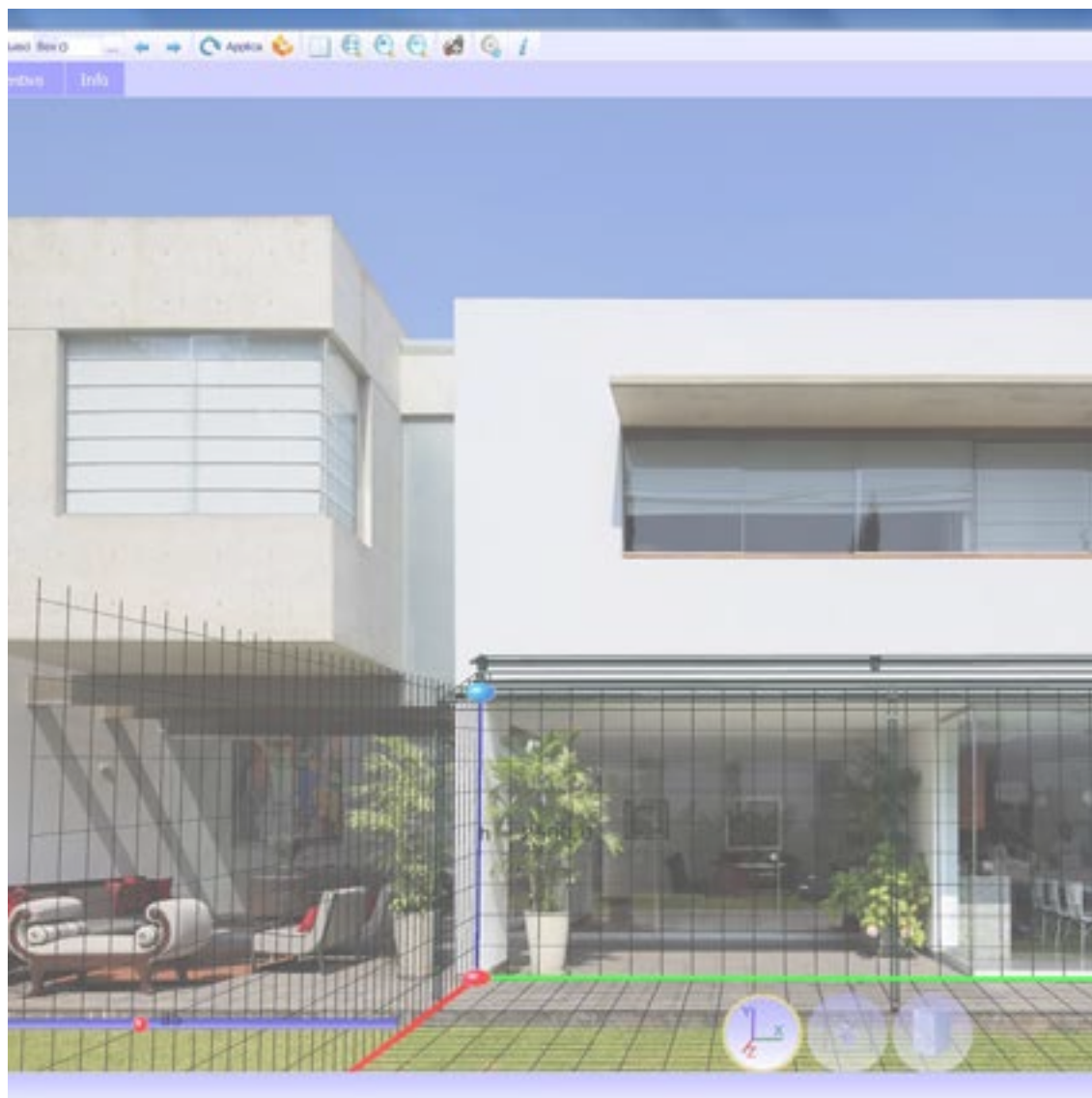
VIRTUAL SHOW ROOM



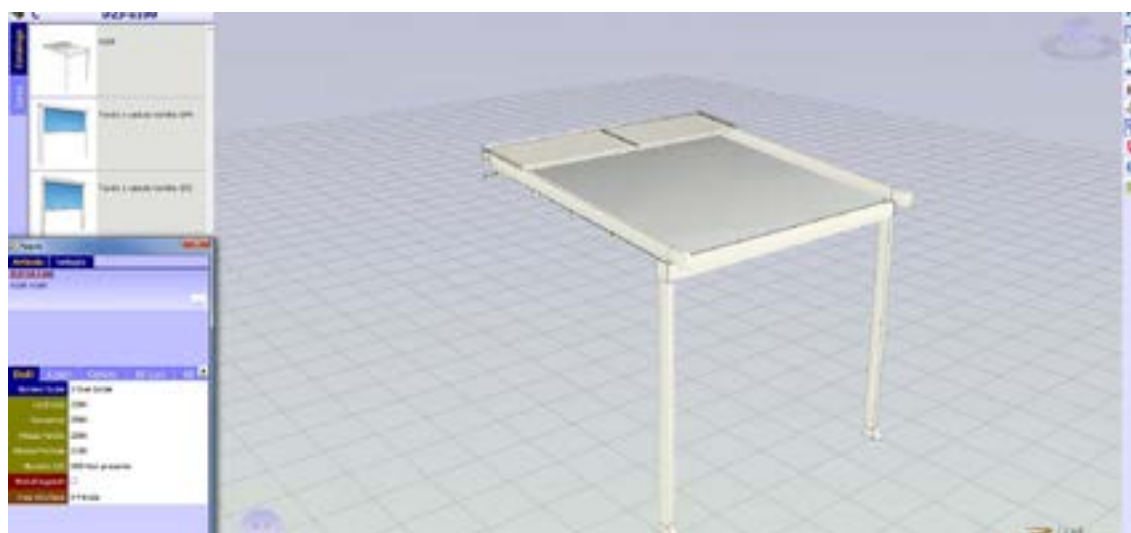
KE has adapted to the new ways of using the product by working on a digital showroom that is able to give the user a high-impact visual experience, a functional space where they can move around freely, receive detailed information on products with a simple click, and access content of interest quickly and intuitively. There is viewable content such as augmented reality and downloadable files such as data sheets, brochures and 3D models.



KE
ENJOY THE OUTDOORS



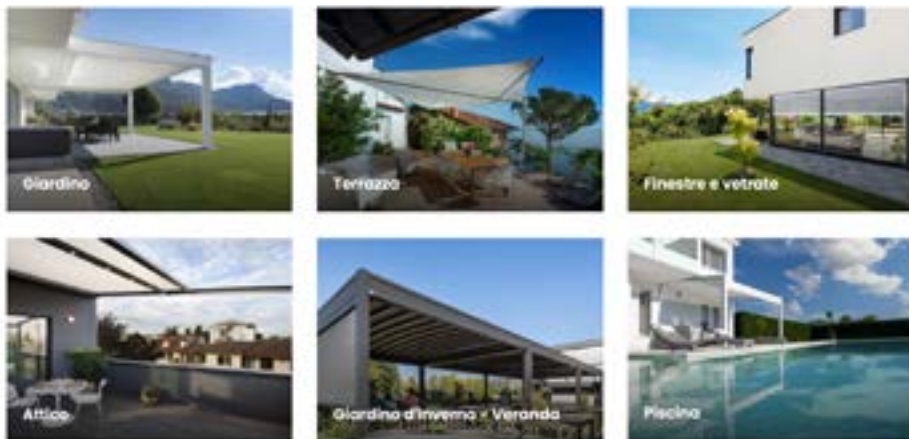
The KE B2B order system is a simple and intuitive service for placing orders conveniently online. An attractive graphic design, numerous functionalities and an easy and intuitive use mode that allows to access in real time to all the information related to the history of the orders and to the processing of the current ones. With the Cad Lite 3D Configurator you can configure Gennius and Bioclimatica models thanks to a constantly updated online catalogue. Thanks to an easy-to-use interface, it also allows you to formulate a complete quote with minimal error.



Home > Ambienti

Ambienti

La nostra missione è creare nuovi spazi outdoor da vivere in totale armonia. Grazie alle nostre coperture solari e alle strutture per esterni personalizzate, potrai arredare con stile il tuo terrazzo, giardino, attico, ma anche modulare. [Leggi di più](#)



BIM technology improves the working method of designers and is now the main source of information for the realisation of a project. With BIM the model is generated in a "parametric 3D" from which a series of information such as 2D views, elevations, sections but also metric calculations and much more can be automatically derived. On the KE website you can find the BIM gallery of the main KE models, the certifications and all the useful technical documentation for each product: www.keoutdoordesign.com





A GROUP, A VISION, A GROUP IN EVOLUTION

Since 1987, KE has been designing and manufacturing arm awnings, cassette awnings, drop awnings, canopies, shelters and is specialised in shading structures that enhance the liveability of outdoor spaces, up to the redesign and restyling of urban furniture. Both for the variety of the range and the depth of the configurations, KE is a manufacturing reality able to satisfy the most demanding requests the most demanding requirements of designers, architects, window and door manufacturers, upholsterers and outdoor professionals.



Improving the experience

With KE's professionalism and experience you can rely on quality products designed to enhance your customers' outdoor experience. With KE it will be easier to live the outdoor space in perfect harmony with the surrounding environment, widening the viewpoints and ensuring maximum comfort in all seasons.

all seasons.